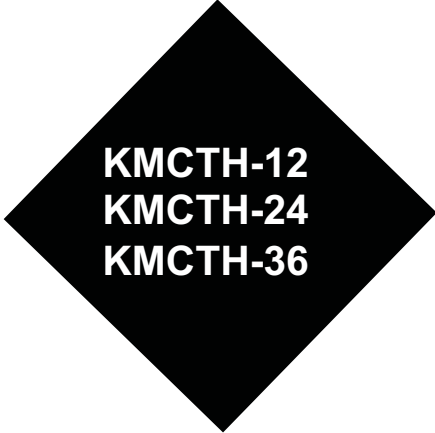




KM Kitchen Monkey heavy duty gas countertop hotplates are designed for use with either natural or LP gas. Constructed of stainless steel front and sides that are fully welded, these units are able to stand the toughest of kitchen environments. Each unit includes tips for field conversion to LPG.



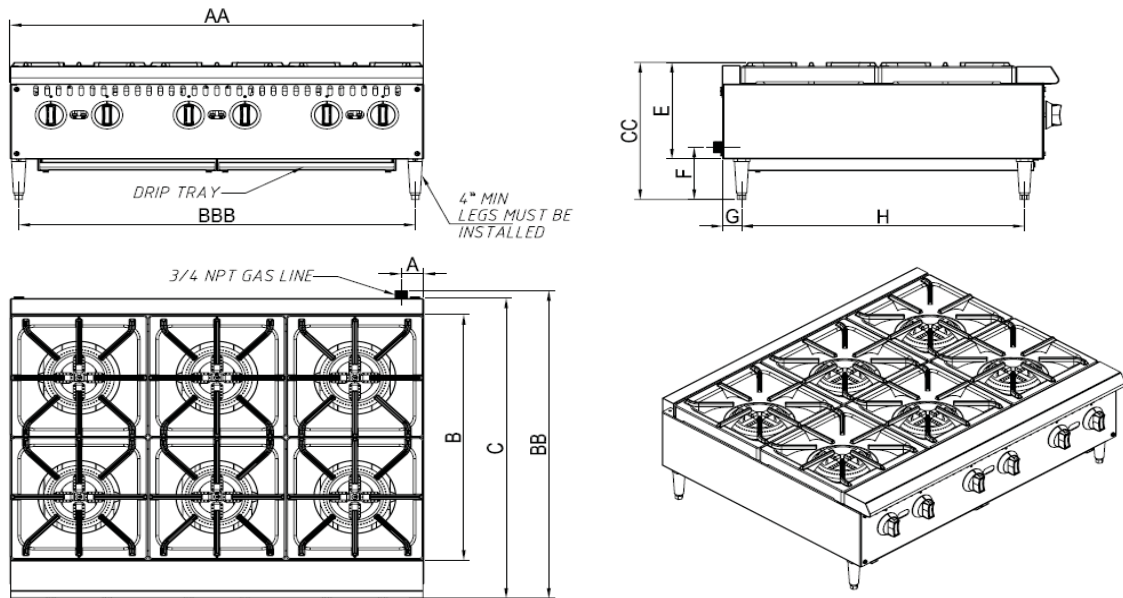
Standard Features

- ◆ Stainless steel front bullnose design and side construction that's fully welded for extra durability
- ◆ 25,000 BTU per burner
- ◆ Two cast iron burners every 12" grate width
- ◆ 4"-5" adjustable legs
- ◆ Separate gas valves for each burner with one pilot light per burner
- ◆ Removable stainless steel drip tray for easy cleaning
- ◆ 3/4" rear NPT gas inlet
- ◆ ETL Listed and ETL Sanitation



Model	Overall Width	Burners	Total BTU	Net Weight (lb)	Gross Weight (lb)
KMCTH-12	12"	2	50,000	62	95
KMCTH-24	24"	4	100,000	119	152
KMCTH-36	36"	6	150,000	187	222

Plan View



Unit Dimensions (inches)

Model	A	B	C	E	F	G	H	BBB	AA	BB	CC
KMCTH-12	2	24	29.3	9.5	9.5	1.5	24.5	10.5	12	30	13.5
KMCTH-24	2	24	29.3	9.5	9.5	1.5	24.5	22.5	24	30	13.5
KMCTH-36	2	24	29.3	9.5	9.5	1.5	24.5	34.5	36	30	13.5

Drip Tray (inches)

Model	Width	Depth	Height	Drip Tray Qty
KMCTH-12	7	23	0.75	1
KMCTH-24	19	23	0.75	1
KMCTH-36	15.25	23	0.75	2